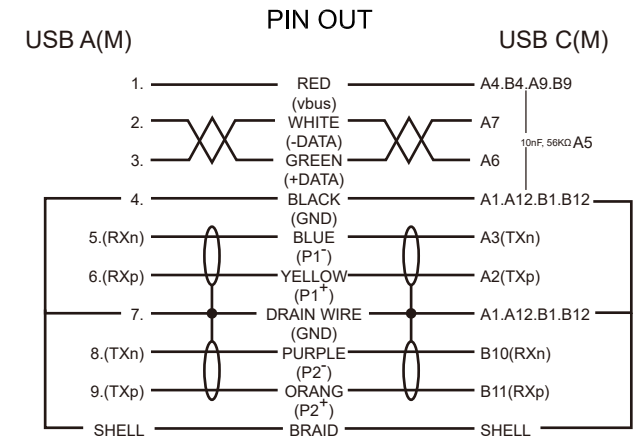
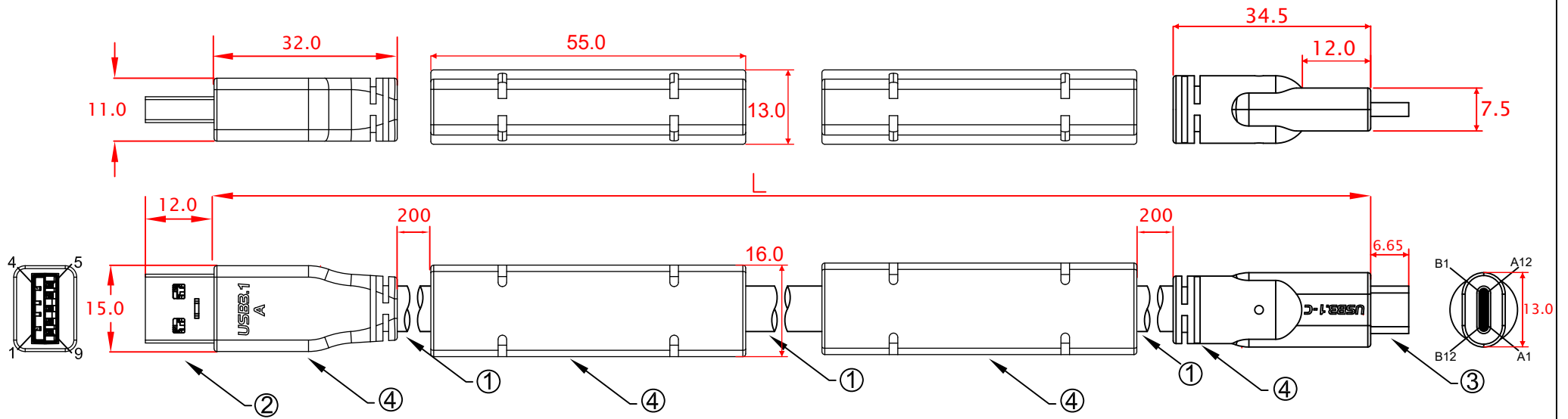


L:
CBL-RTD3SABCX-6m 6000mm±30mm

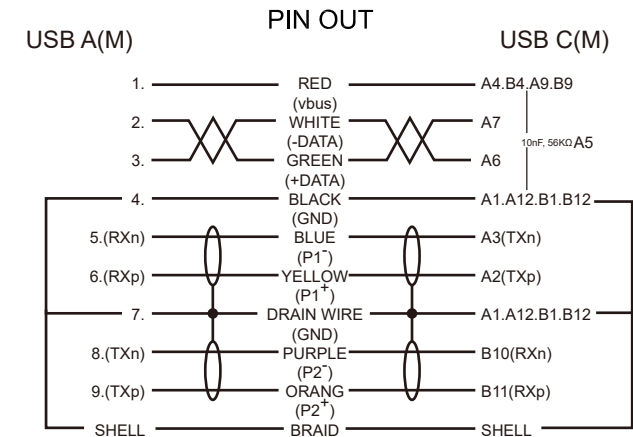


No	MATERIALS LIST:
1.	CABLE: 3 x (2 x 26 AWG)ST + 2 x 24 AWG O.D.:8.0mm COLOR:BLACK
2.	CONNECTOR:USB 3.0 A/M, 9P, BLUE INSULATOR SOLDER TYPE, NICKEL PLATED SHELL
3.	CONNECTOR:USB 3.1 TYPE-C, MALE, NICKEL PLATED SHELL
4.	PVC MOLDED HOUSING, BLACK COLOR
5.	

Jargy part no.	Client part no.	Approved	SCALE	UNIT
CBL-RTD3SABCX-xm				mm
Drawing Name		Drawn	Date	REV.
USB 3.1 GEN 1 A to C Cable M/M				1.0

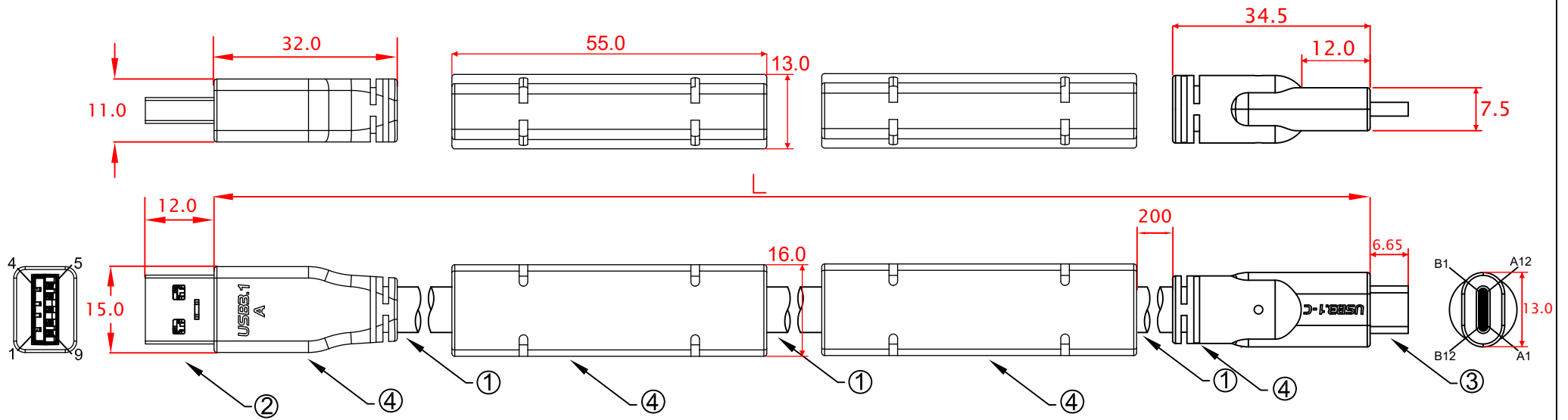


L:
 CBL-RTD3SABCX2-7m 7000mm±30mm
 CBL-RTD3SABCX2-8m 8000mm±30mm

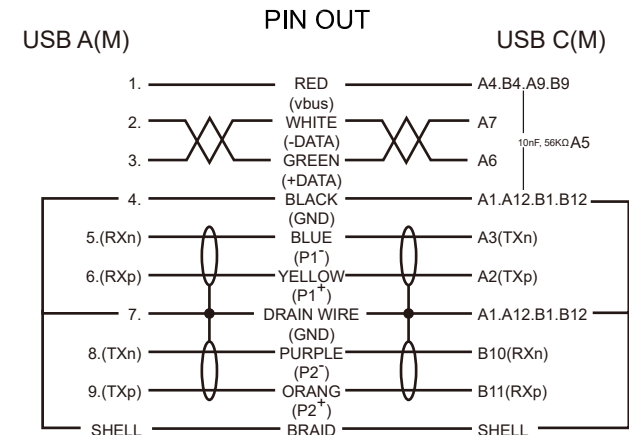


No	MATERIALS LIST:
1.	CABLE: 3 x (2 x 26 AWG)ST + 2 x 24 AWG O.D.:8.0mm COLOR:BLACK
2.	CONNECTOR:USB 3.0 A/M, 9P, BLUE INSULATOR SOLDER TYPE, NICKEL PLATED SHELL
3.	CONNECTOR:USB 3.1 TYPE-C, MALE, NICKEL PLATED SHELL
4.	PVC MOLDED HOUSING, BLACK COLOR
5.	

Jargy part no.	Client part no.	Approved	SCALE	UNIT
CBL-RTD3SABCX2-xm				mm
Drawing Name		Drawn	Date	REV.
USB 3.1 GEN 1 A to C Cable M/M				1.0



L:
 CBL-RTD3SABCX-9m 9000mm±30mm
 CBL-RTD3SABCX-10m 10000mm±30mm
 CBL-RTD3SABCX-11m 11000mm±30mm
 CBL-RTD3SABCX-12m 12000mm±30mm



No	MATERIALS LIST:
1.	CABLE: 3 x (2 x 26 AWG)ST + 2 x 24 AWG O.D.:8.0mm COLOR:BLACK
2.	CONNECTOR:USB 3.0 A/M, 9P, BLUE INSULATOR SOLDER TYPE, NICKEL PLATED SHELL
3.	CONNECTOR:USB 3.1 TYPE-C, MALE, NICKEL PLATED SHELL
4.	PVC MOLDED HOUSING, BLACK COLOR
5.	

Jargy part no.	Client part no.	Approved	SCALE	UNIT
CBL-RTD3SABCX-xm				mm
Drawing Name		Drawn	Date	REV.
USB 3.1 GEN 1 A to C Cable M/M				1.0